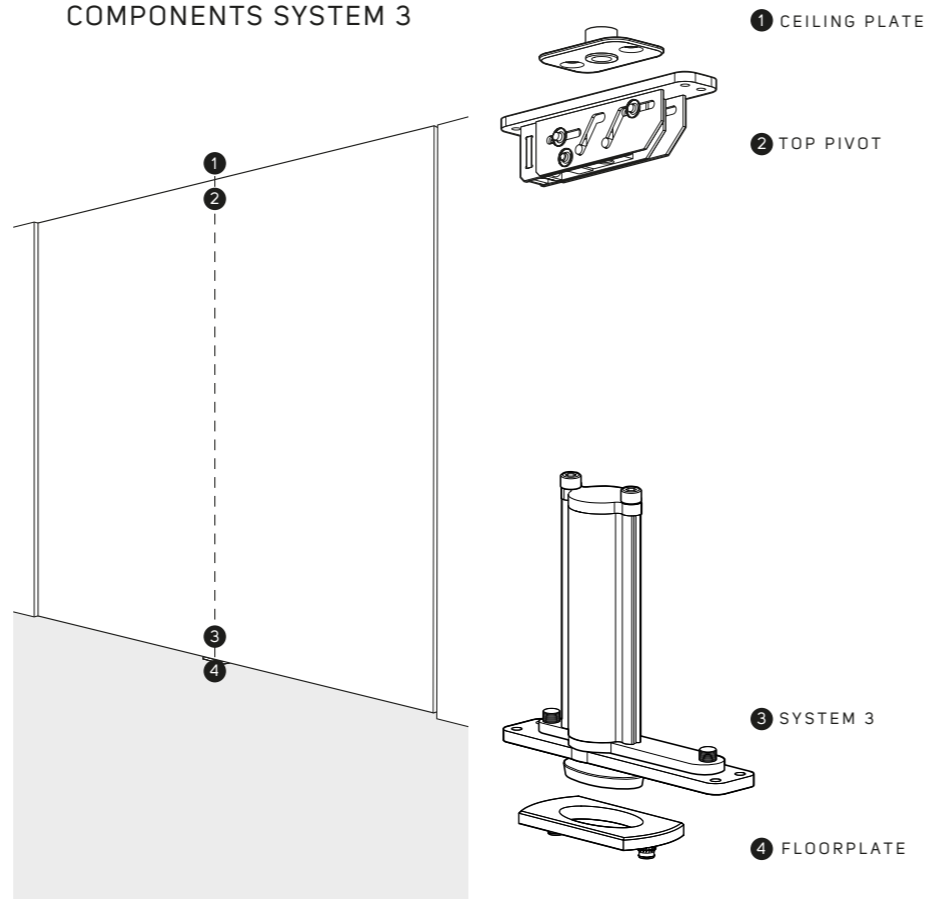


INT-1.5-2019  
MILLING MANUAL

### COMPONENTS SYSTEM 3



# FritsJurgens®

SYSTEM 3

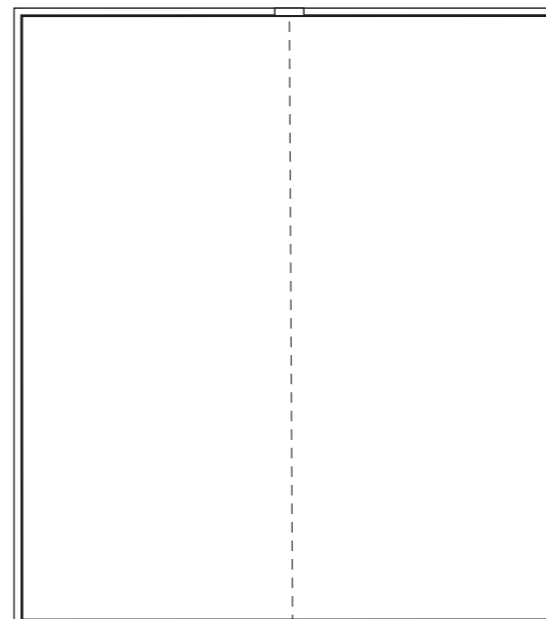
### MILLING KIT



NOTE: MILLING KIT IS FOUND IN PACKAGING  
BELOW THE TOP PIVOT

### GAPS AROUND THE DOOR

TOP SEAM  
MIN. 4MM  
MAX. 10MM

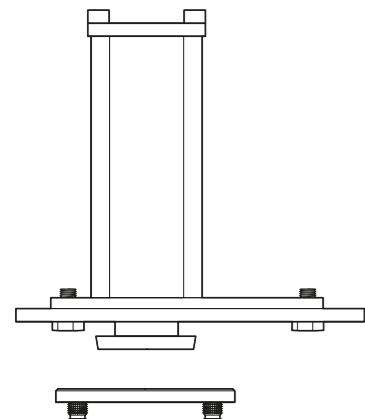


BOTTOM SEAM =13MM

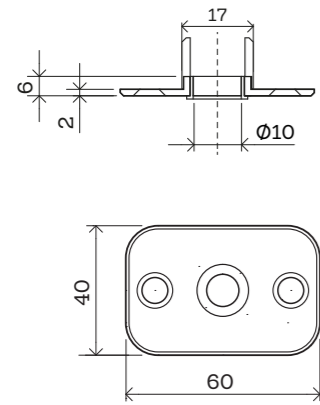
FRITSJURGENS®  
+31 598 343 410  
INFO@FRITSJURGENS.COM  
WWW.FRITSJURGENS.COM



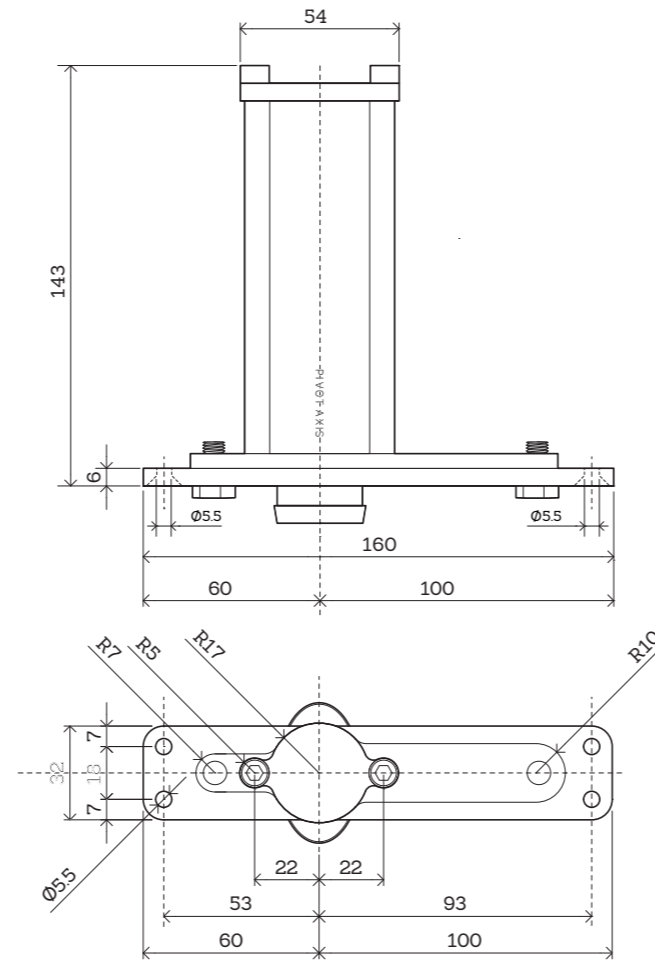
← ALSO CONSULT THE  
ONLINE MANUAL



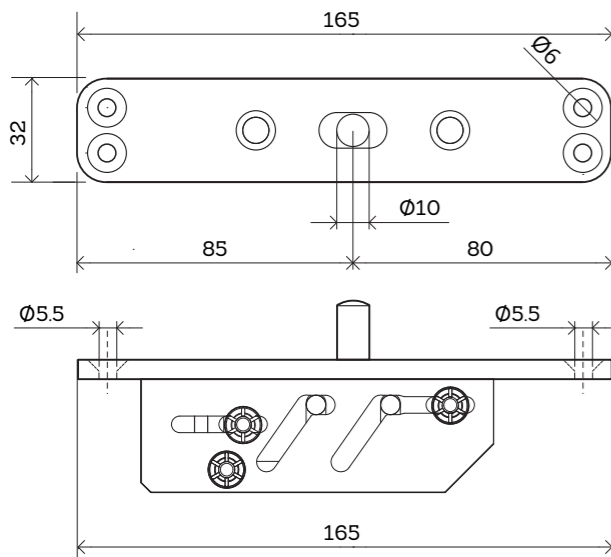
CEILING PLATE



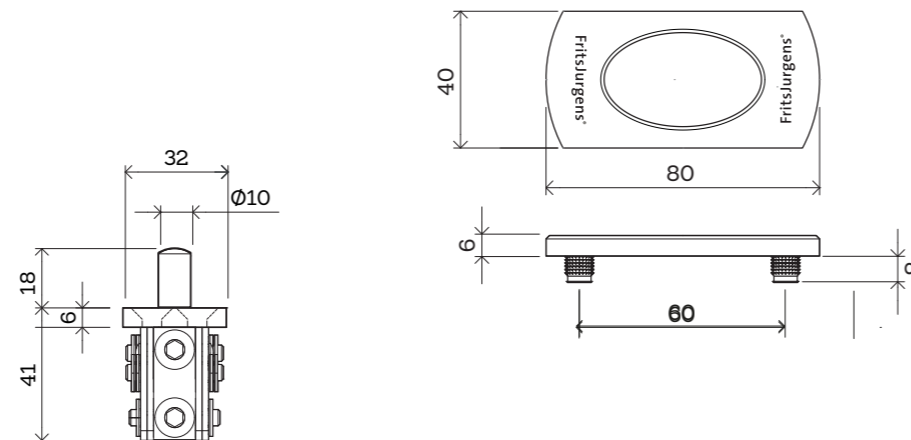
SYSTEM 3



TOP PIVOT



FLOORPLATE



TOP PIVOT\* \*WHEN X ≥ 280MM / 11IN

